

## 2817 – MULE MX PLOW MOUNT

Use the attached page to help with part identification during installation. We recommend using Loctite (Blue) on all fasteners.

Tools:	
Ratchet	9/16 Socket
9/16 Wrench	

### Plow Mount Installation:

**STEP 1:** Hold the plow mount plate (Item 3) against front bumper so that the four square holes line up with slots in lower bumper guard and the two rear holes line up with the two holes in the skid plate on the underside of the machine.

**STEP 2:** Install four carriage bolts (Item 7) through the four square holes on the plow mount and then place a plow mount clamp (Item 1) over the carriage bolts on both sides so that the clamp rests on the outer square bumper structure. Loosely install lock nuts (Item 6) onto carriage bolts.

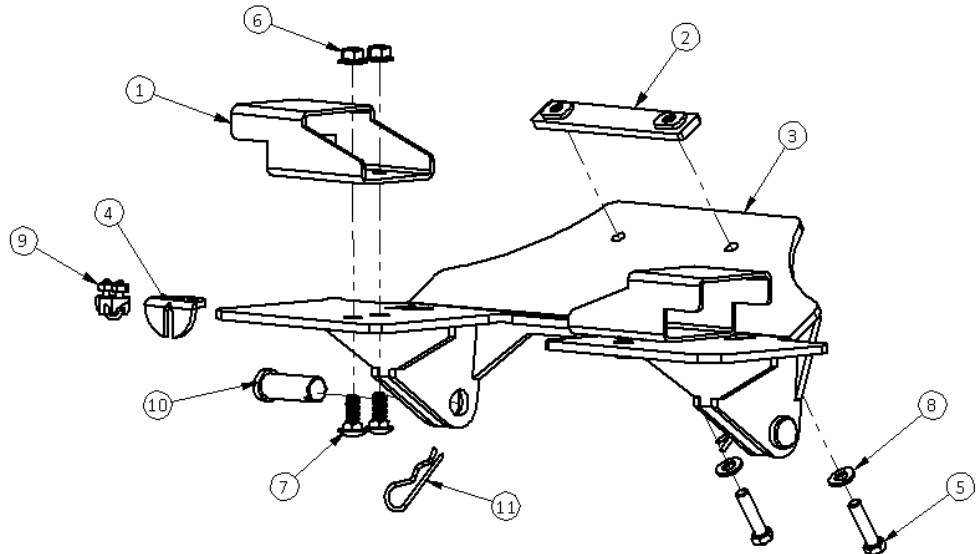
**STEP 3:** Place the plow mount strap (Item 2) over the two holes in the skid plate and loosely install 3/8 x 1 1/2" bolts (Item 5) into plow mount strap.

**STEP 4:** Square the mount up to the front of the machine and then fully tighten all of the hardware working in a crisscross pattern to keep the mount straight.

### Attaching the Push Tube to the Plow Mount:

**STEP 1:** Roll the UTV over the push tube assembly.

ITEM NO.	PART NUMBER	QTY.	DESCRIPTION
1	2817-5	2	PLW MNT CLMP
2	2817-6	1	STRAP WLDMNT
3	2817-8	1	PLW MNT, MX PRO
4	3918-4	1	CABLE STOP
5	HDW393	2	BOLT, 3/8-16UNCx1 1/2" HEX HD ZINC
6	HDW397	4	NUT, 3/8-16UNC HEX FLG SERRATED, ZINC
7	HDW1179	4	BOLT, 3/8-16 X 1 CARR. GR 5 Z
8	HDW1223	2	WASHER, 3/8" FLAT, SAE, Z
9	HDW1247	1	3/16 IN WIRE ROPE CLIP
10	HDW1260	2	CLEVIS PIN, 3/4 X 2, ST,ZN
11	HDW1261	2	HAIRPIN, Ø1/8 X 2" Z



**STEP 2:** Lift the push tube up to the plow mount and line the holes in the ears on the push tube up with the holes in the ears on the plow mount.

**STEP 3:** Insert each of the 3/4 x 2” clevis pins (Item 10) through the holes and secure in place using the hair pin clips (Item 11).

**STEP 4:** Attach the lift system of choice and the plow is ready for use.

### **Removing the Push Tube from the Plow Mount:**

Reverse the previous steps to remove the push tube. Once the 3/4” pins are removed, place them back into the holes on the push tube assembly with the hair pin clips to prevent them from getting lost when the plow is not in use.

### **Additional Notes:**

- (Optional) Mount the cable stop (Item 4) using the wire clip (Item 9) along the winch cable to prevent interference between the plow system and the machine when the plow is lifted.

**It is the operator’s responsibility to periodically check all fasteners/mounting hardware to ensure none have come loose during use and to check for any signs of wear.**

**Do NOT plow at speeds over 5mph. Doing so will void warranty on any parts that become damaged or break.**