



131 County Rd. 34 E. Jackson MN, 56143 1.800.446.8222  
www.eagleplows.com

## 2820 Plow Mount Installation Instructions

### **TOOLS NEEDED**

19MM WRENCH AND RATCHET

### **PLOW MOUNT INSTALLATION** (use attached page to help with part identification during installation)

- STEP 1: Remove the 12mm bolt that holds the brush guard into place.
- STEP 2: Use the 12mm x 100mm bolt (Item 6), flat washers (Item 2) and 12mm nylock nuts (Item 3) and install the plow mount (Item 1) with the U-shaped portion going over the brush guard and behind the frame tube.
- STEP 3: Tighten the bolts.

### **ATTACHING THE PUSH TUBE**

- STEP 1: Roll the UTV over the push tube assembly.
- STEP 2: Lift the push tube up to the plow mount and line the holes up on the push tube and ears on the plow mount.
- STEP 3: Insert 3/4" pins (Item 4) into the holes and snap the hair pin clips (Item 5) into the 3/4" pins.
- STEP 4: Attach the lift system of choice and the plow is ready for use.

### **REMOVING THE PUSH TUBE**

Reverse the above listed steps to remove the push tube. Once the 3/4" pins are removed, place back into the holes on the push tube assembly with the hair pin clips so they are not lost when the plow is not in use.

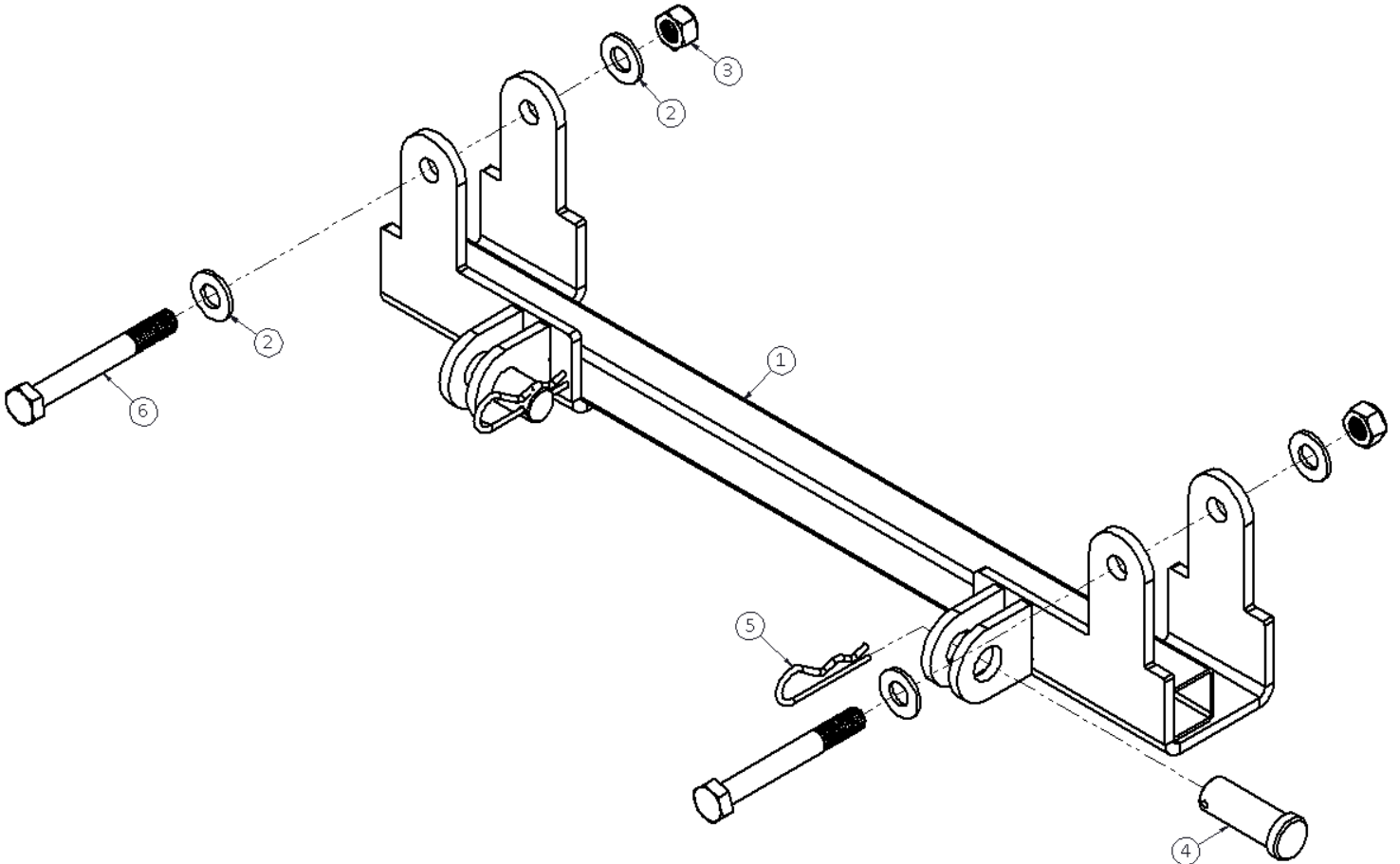
Periodically check all mounting hardware to make sure the Plow Mount is properly secured to the UTV.

---

**It is the operator's responsibility to periodically check all fasteners/mounting hardware to ensure none have come loose during use and to check for any signs of wear.**

**Do NOT plow at speeds over 5mph. Doing so will void warranty on any parts that become damaged or break.**

ITEM NO.	PART NUMBER	QTY.	DESCRIPTION
1	2820-5	1	PLOW MOUNT
2	HDW155	4	WASHER, 1/2 FLAT SAE, ZN
3	HDW1118	2	NUT, M12-1.75, NYLOCK, GR8.8,ZN
4	HDW1260	2	CLEVIS PIN, 3/4 X 2, ST,ZN
5	HDW1261	2	HAIRPIN, $\varnothing$ 1/8 X 2-1/2" Z
6	HDW1583	2	BOLT, M12-1.75 X 100, HHCS, 8.8, ZN



Hardware is from HDW1585 hardware kit.